

## **SKID 63** **COLLECTOR** **SPECIFICALLY FOR SKILLET CONVEYORS**

### **QUICK AND EASY**

- Quick installation
- Simple maintenance

### **PROCESS RELIABILITY**

- Reverse polarity protection
- Self-centering
- Optimal cable guidance

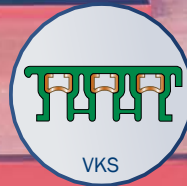
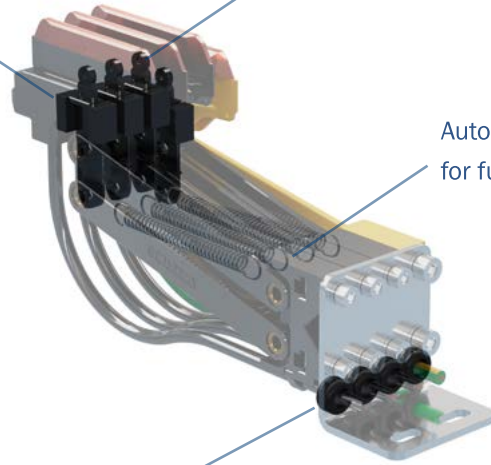
# SKID 63

Special elastomere foam provides optimum contact pressure

Quick and simple exchange of contact brushes using a clip mechanism

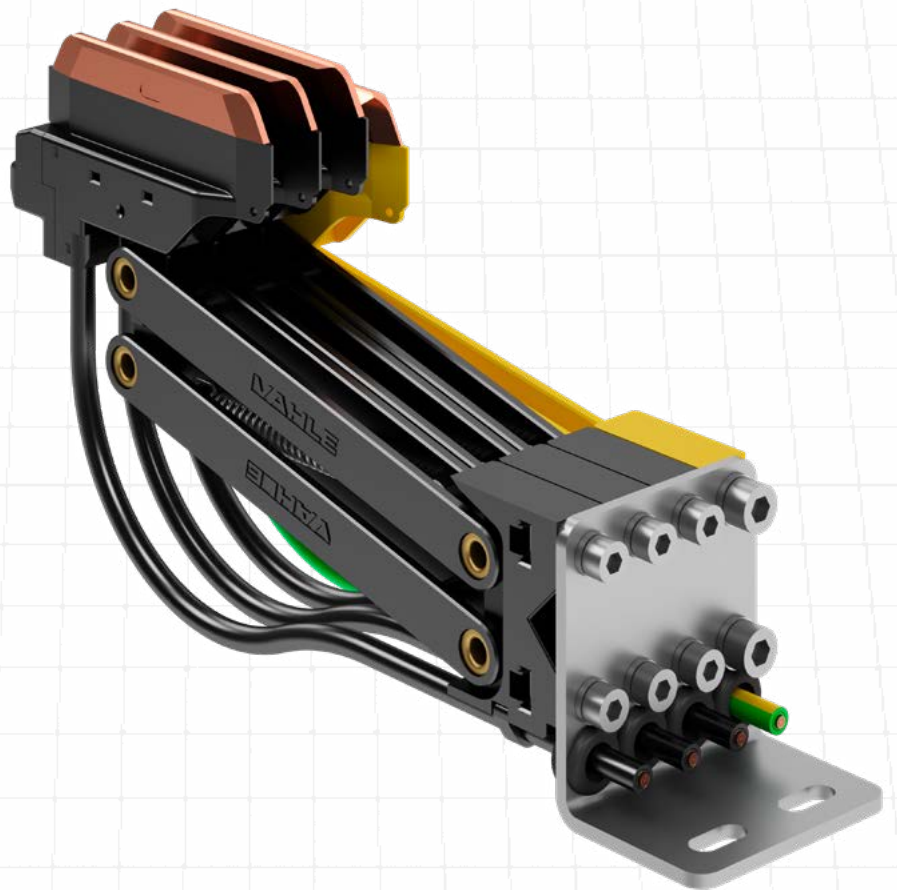
Automatically centering for funnel entry

Defined cable guidance assures reliable functioning



## TECHNICAL DATA

- Possible deflection:  $\pm 30 \text{ mm}$   $\updownarrow \leftrightarrow$
- Travel speed: up to 180m/min
- Max. current capacity: 63A per collector brush
- Touch protection as per IP21
- PE polarity protection
- UL approval
- Automatically centering for funnel entry
- Optimized for bi-directional travel



## SKID 63 COLLECTOR SPECIFICALLY FOR SKILLET CONVEYORS 适用于滑撬线应用

### QUICK AND EASY

- Quick installation
- Simple maintenance

### PROCESS RELIABILITY

- Reverse polarity protection
- Self-centering
- Optimal cable guidance

### 快速和简易

- 快速安装
- 简易维护

### 操作安全

- 反向运行保护
- 自我导引
- 优化电缆导引

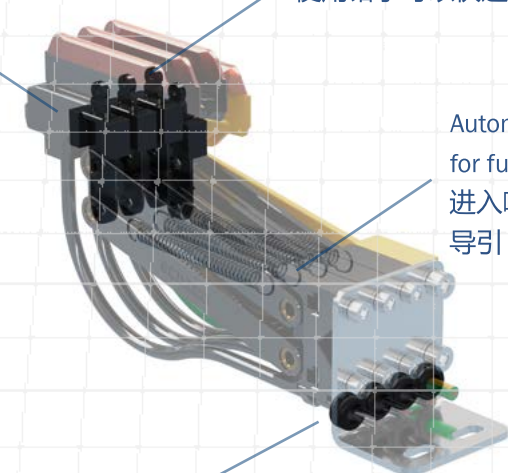
# SKID 63

Special elastomere foam provides optimum contact pressure  
特殊的弹性材质，提供了优质的接触压力

Quick and simple exchange of contact brushes using a clip mechanism  
使用钳子可以快速方便的更换碳刷

Automatically centering for funnel entry  
进入喇叭口时，可自动导引

Defined cable guidance assures reliable functioning  
有专门的电缆导槽，确保集电器能可靠运行



## TECHNICAL DATA

- Possible deflection:  $\pm 30 \text{ mm} \updownarrow \leftrightarrow$
- Travel speed: up to 180 m/min
- Max. current capacity: 63 A per collector brush
- Touch protection as per IP21
- PE polarity protection
- UL approval
- Automatically centering for funnel entry
- Optimized for bi-directional travel

## 技术数据

- 机械偏差:  $\pm 30 \text{ mm} \updownarrow \leftrightarrow$
- 运行速度: 180 m/min
- 最大电流: 63 A 每片碳刷
- 防护等级 IP21
- PE 地线保护
- UL 认证
- 进入喇叭口时，可自动导引
- 稳定的双向运行